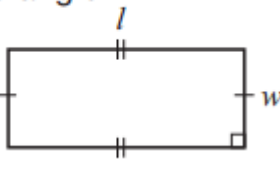
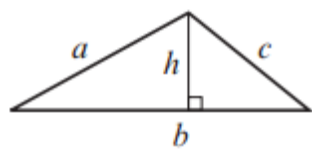
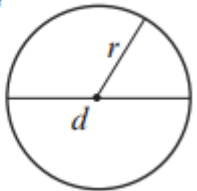
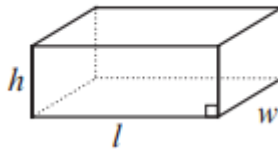
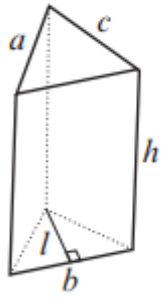
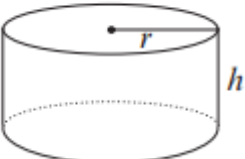


Formula Sheet

| Geometric Figure | Perimeter | Area |
|--|-----------|------|
| <p>Rectangle</p>  | | |
| <p>Triangle</p>  | | |
| <p>Circle</p>  | | |

| Geometric Figure | Surface Area | Volume |
|--|--------------|--------|
| <p>Rectangular prism</p>  | | |
| <p>Triangular prism</p>  | | |
| <p>Cylinder</p>  | | |