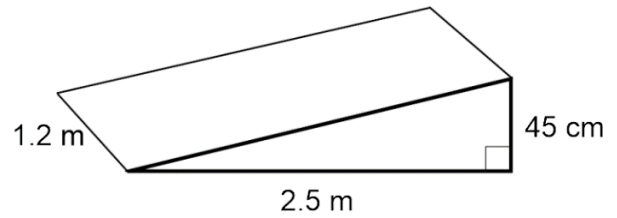
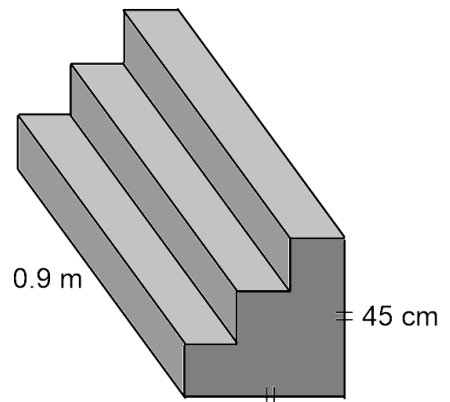


Problem Solving with Volume

1. Determine the volume of concrete needed to construct the ramp shown, to the nearest tenth of a cubic metre.



2. Determine the volume, to two decimal places, of concrete needed to construct this staircase.



3. A cylindrical container is to be planted with flowers. The container is to be 2 feet high, and must hold 1.5 m^3 of soil. What is the minimum diameter, to the nearest centimeter?

Draw a diagram and use your unit conversion sheets from yesterday to help you get started!