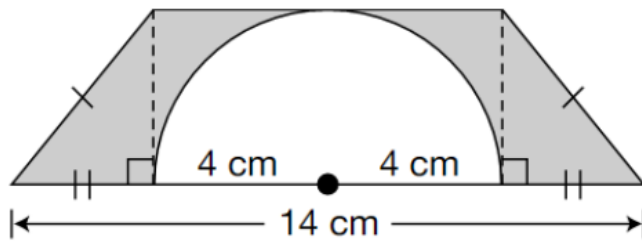


Measurement

*****SHOW ALL OF YOUR WORK FOR FULL MARKS*****

A correct answer with no work shown earns 1/5.

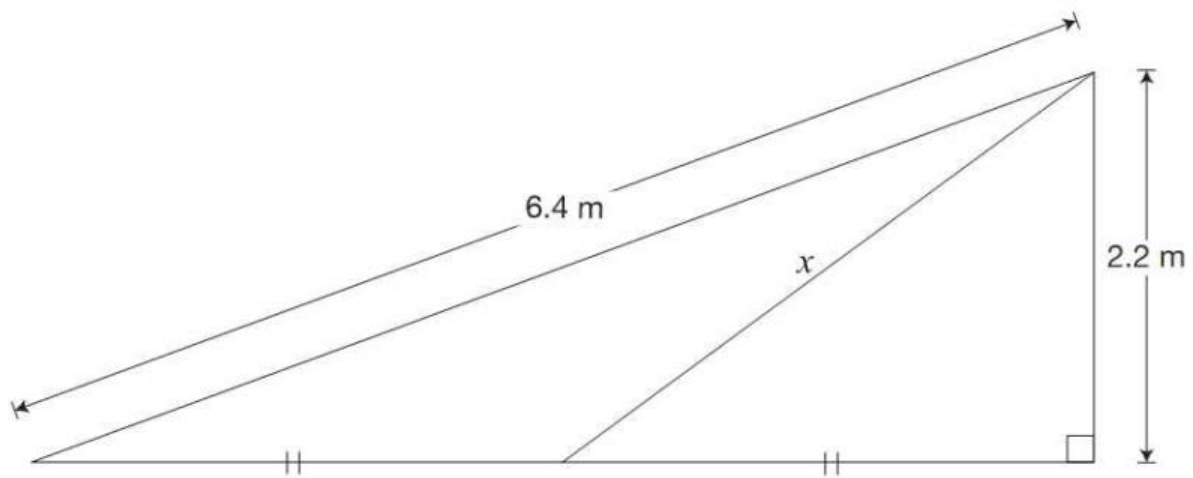
The semicircle in the diagram below has a radius of 4 cm.



What is the area of the shaded region?

Show your work.

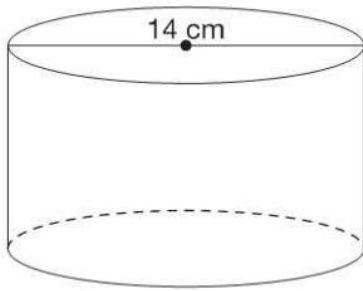
The diagram below shows a small right triangle inside a large right triangle.



Determine the value of x .

Show your work.

The cylinder pictured below has a surface area of 660 cm^2 .

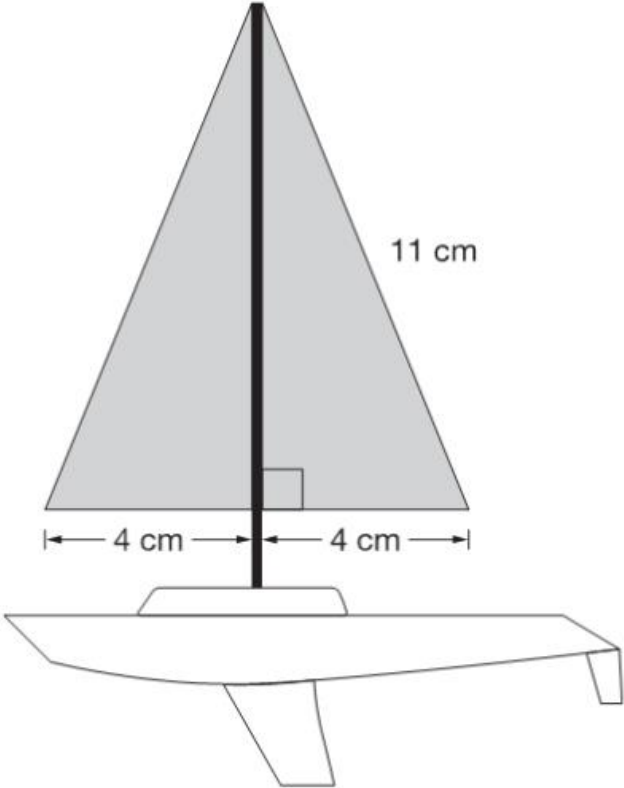


Use the following formula to determine the height of the cylinder:

$$\text{Surface area} = 2\pi r^2 + 2\pi rh$$

Show your work.

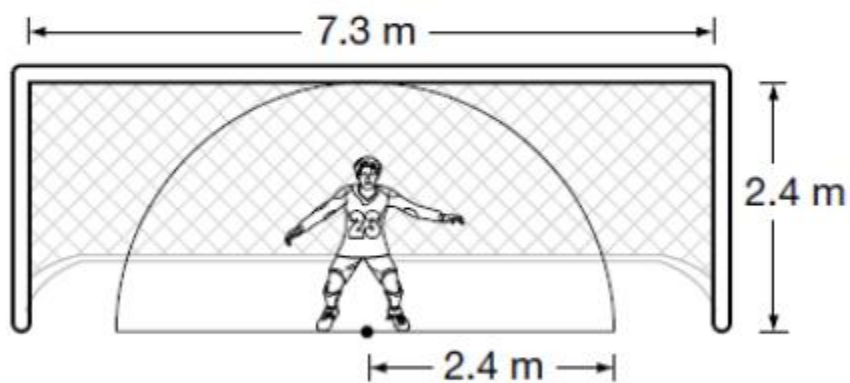
Emelina makes toy sailboats as shown below.



Determine the total area of the shaded sails.

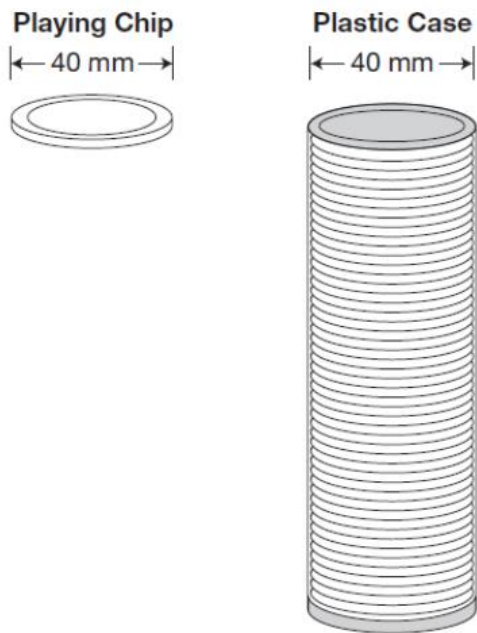
Show your work.

A soccer goalie is standing in a goal opening. From this position, she can guard the area represented by the semicircle below.



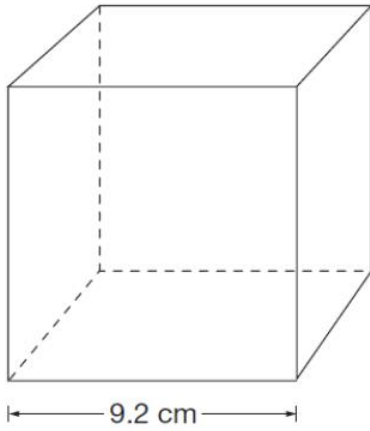
How much of the goal opening is she not guarding?

The playing chips of a board game are stored in cylindrical plastic cases. The plastic cases have a volume of $25\,120\text{ mm}^3$ and a diameter of 40 mm .



What is the height of 1 playing chip if 50 playing chips fit tightly into the plastic case as shown above?

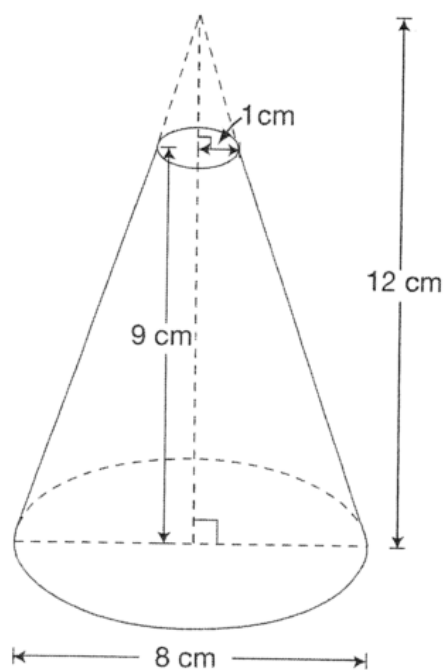
A decoration is packed in a box shaped like a cube as shown below.



The decoration has a volume of 651 cm^3 .

How much empty space remains in the box?

The figure pictured below is a cone with its top portion removed.



Determine the volume of this figure.

Show your work.